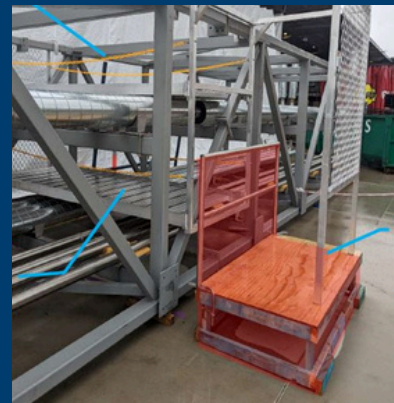
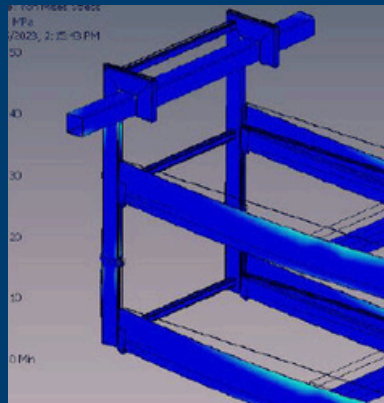


# ENTRY GUIDELINES



# 2025 SITE SAFETY AWARDS COMMERCIAL CONSTRUCTION



# Table of Contents

- About the Awards ..... 2
  
- Entry Information
  - Key Dates ..... 2
  - Entry Fees ..... 2
  - How to Enter ..... 2
  - Entry Requirements ..... 3
  - Entry Criteria ..... 3
  - 2025 Award Categories ..... 4
  
- Judging ..... 4
  
- Frequently Asked Questions ..... 5
  
- Media Coverage ..... 6



# The Awards

The Master Builders Site Safety Awards provide contractors with an excellent opportunity to demonstrate their commitment to fulfilling statutory WHS requirements on projects.

Entries are judged by both MBA specialist staff and SafeWorkNSW representatives. Projects must be under construction to be eligible for judging.

## KEY DATES

### ENTRIES CLOSE

Friday 6 June

### JUDGING PERIOD

July 2025

### AWARDS PRESENTATION

Saturday 18 October 2025

## ENTRY FEES

### MEMBERS

\$660 (inc GST)

### NON-MEMBERS

\$1,100 (inc GST)

## HOW TO ENTER

All entries are to be submitted via the online AwardForce software by **5pm** on **Friday 6 June**

[CLICK HERE TO START YOUR ENTRY](#)

# Entry Information

## REQUIREMENTS

Entries are judged by industry experts. To give the judges guidance prior to judging, you are required to provide the following information.

### A. Online Entry

Complete and submit your online entry at [mbansw.awardsplatform.com](https://mbansw.awardsplatform.com) by **5pm on Friday 6 June 2025**.

### B. Must provide evidence of the following:

- New controls
- Development of a new safety innovation
- Demonstrate elimination and minimisation of risk
- Consultation with workers and/or other Persons Conducting Business or Undertaking (PCBU's) formerly known as sub-contractors.

### C. Digital Images

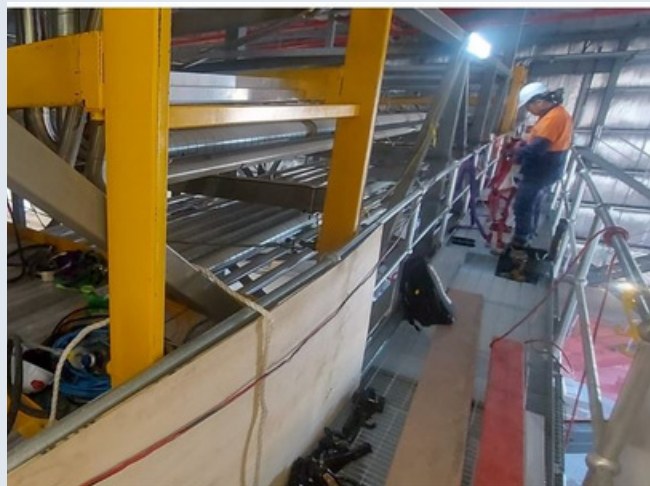
High resolution digital progress photos **MUST** be submitted with entries. Images provided will be used in the audio-visual presentation and print media. Entrants are responsible for the quality of all images.

- Minimum resolution of 300 dpi
- Format: JPEG or PNG
- Landscape Orientation photos preferred

### D. Authorisation

The company director and the Client must signify their consent to the project being entered into the awards and willingness to be bound by the rules including accompanying publicity, by signing the authorisation form.

[Download Authorisation form here](#)



## CRITERIA

- Entries must be submitted by Friday 6 June
- Projects must be under construction and located within the State of NSW to be eligible for judging.
- Entries must nominate an example of High Risk Construction Work (HRCW).
- Entries must describe the process of selecting a control for this HRCW.
- Entries must include a description of the implementation of the control must be included in the submission.
- Entries must describe any evaluation and the reduction of risk undertaken.
- Entry is open to both MBA NSW Members and Non-Members, but only MBA NSW Members will be eligible to progress to the National Awards.

# 2025 Categories

Some categories are broken down into price categories dependent upon the total construction cost of the project while other categories remain open without price limitations.

## **Commercial Projects**

Up to \$10 Million  
\$10 Million - \$50 Million  
\$50 Million & Over

## **Civil Construction**

Open Price Category

## **Best Personal Employee Contribution to WHS**

Open Nomination

## **Safety Innovation**

Open Nomination

# Judging

Judging will take place in July 2025 and comprises of a combination of submission review/phone interviews and/or site visit or any combination of these, depending on the specific project and timing.

In the event of onsite judging, any unsuitable dates must be noted on the entry form. Once judging dates are assigned, they cannot be changed. Entrants will receive at least two weeks' notice of their judging date and must ensure the relevant personnel are available.

The judges decision is final and no correspondence will be considered. The judges reserve the right to reclassify any entry and a winner may not be declared in all categories.

Projects must be under construction. If your project is likely to be completed prior to the entry deadline, please contact David Solomon on 0420 227 060 to discuss.

# Frequently Asked Questions

## Who can enter the Site Safety Awards?

The awards are open to both members and non-members of MBA NSW within the commercial sector of the building industry. Non-Member entries are not eligible to progress to the National Awards. **Projects must be under construction and located within the State of NSW.**

## Can I resubmit a project I entered last year?

No, previous entries cannot be resubmitted.

## What documentation do I need to submit an entry?

All the required documentation can be found on [Page 3](#) of this booklet under section B.

## My project is scheduled to be completed prior to the deadline, can I still enter?

Yes, all projects must be under construction at the time of judging. If your project is likely to be completed prior to the entry deadline, please contact **David Solomon** on **0420 227 060** to notify the judges.

## Can I enter a joint venture?

Yes, you can. Please ensure you add both company names when completing the entry form and ensure the authorisation form is signed by all parties.

## Do I need professional photos?

No, any photos that meet all of the photography requirements listed on [Page 3](#) under section C of this booklet can be submitted. Please note that good quality images will better profile your entry in print media and audio-visual presentations.

## Can I enter a confidential project?

Yes, when entering a confidential project, please add **CONFIDENTIAL** to the company name when submitting an entry. Please note client information will never be published.

## Is this information for Regional Awards as well?

No, this information is for the State Awards. These awards are run independently from the Regional Awards. Regional projects are eligible to enter the State Awards. Entrants wishing to be judged for the Regional Awards should enter through the relevant regional office. For more information on our Regional Awards, [click here](#)



# Media Coverage

The Master Builder Magazine will feature a special section on the Awards, which will be distributed to all MBA members across NSW, published on the MBA website, and included in media releases shared with various outlets by the MBA.



@mbaawardsnsw



mbansw



events@mbansw.asn.au